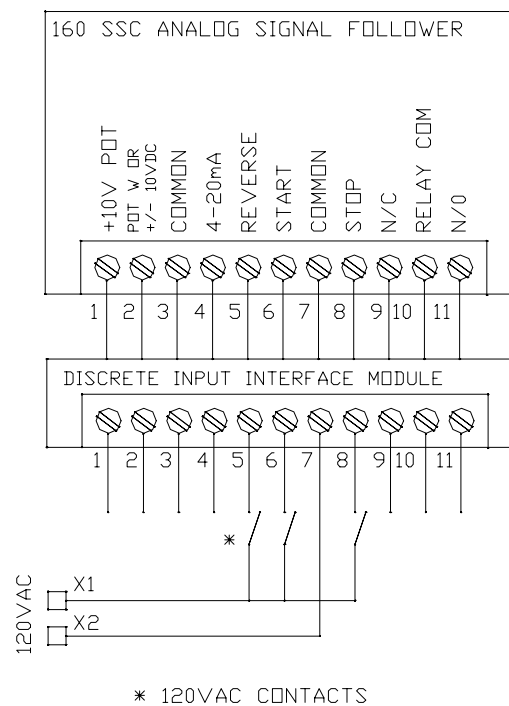
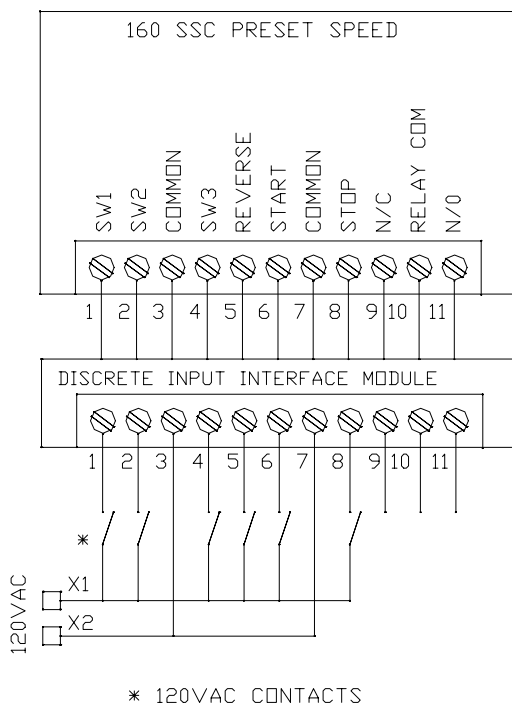


MODULE NUMBER		
LT160-PS1-120VAC / LT160-SF1-120VAC		
ELECTRICAL RATINGS		
INPUT VOLTAGE	120VAC	+/- 15%
TURN-ON/OFF VOLTAGE	90VAC	+/- 15%
INPUT CURRENT	NOMINAL	3.0mA +/- 2%
OUTPUT	OPEN-COLLECTOR	12VDC 5mA
ENVIRONMENTAL SPECIFICATIONS		
ENCLOSURE	IP20	
OPERATING TEMPERATURE	0°C TO 50°C	
STORAGE TEMPERATURE	-40° TO +85°C	
RELATIVE HUMIDITY	0 TO 95% (NON CONDENSED)	
STANDARDS AND APPROVALS	UL508C	



TYPICAL CUSTOMER CONNECTIONS

Important: Refer to the 160 SSC Variable Speed Controller User Manual, publication 160-5.15 for further control wiring, start-up and programming information.



(06/10/2000)