

# LT160-PS1/SF1-120VAC INTERFACE MODULE

for the ALLEN-BRADLEY Bulletin 160 SSC Variable Speed Controller

## DESCRIPTION

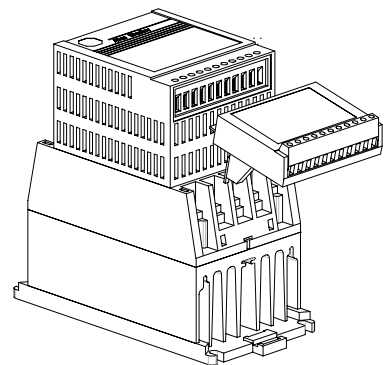
Leaf Technology LT160 120VAC interface modules allow A-B bulletin 160 variable frequency drives to operate from standard 120VAC control signals. Direct mounting and connection to the drive control terminal strip simplifies module installation with no intermediate wiring required. Modules can be used with all bulletin 160 series "C" drives (230 or 460VAC, 0.5 to 5 HP).

Two module versions are available:

CATALOG NUMBER	DESCRIPTION
LT160-SF1-120VAC	For analog signal follower model drives (catalog option "-SF1"). Accepts "start", "stop", and "reverse" 120VAC control signals (terminals 5-8). Analog and relay output signals (terminals 1-4, 9-11) passed through.
LT160-PS1-120VAC	For preset speed model drives (catalog option "-PS1"). Accepts "start", "stop", "reverse", "SW1", "SW2", and "SW3" 120VAC control signals (terminals 1-8). Relay output signals (terminals 9-11) passed through.

## GENERAL SPECIFICATIONS

- 120VAC sinking only (120VAC control voltage)
- Protection class IP20
- Input Loading: 3ma.
- Turn On/Off: 90VAC +/- 15%
- UL508



512 E. Industrial Drive • Hartland, WI 53029

Web Site: [www.leaftech.com](http://www.leaftech.com)