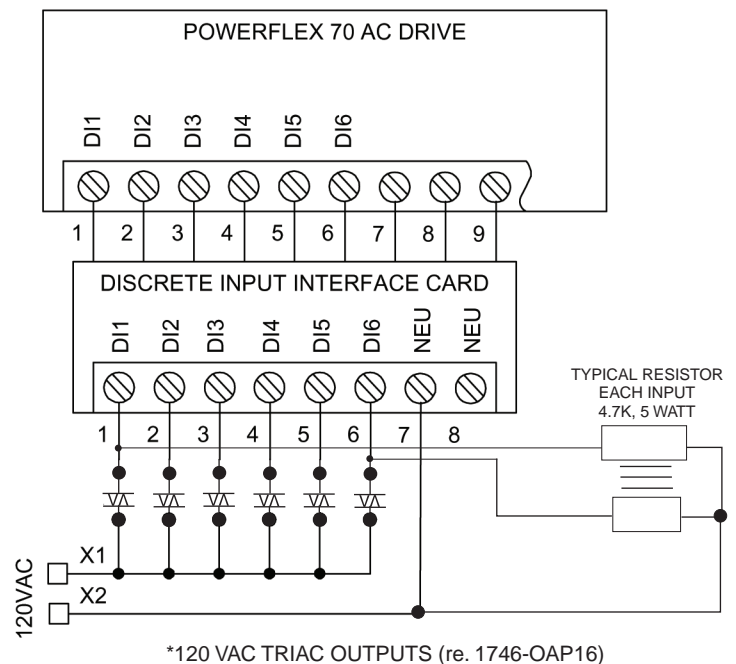
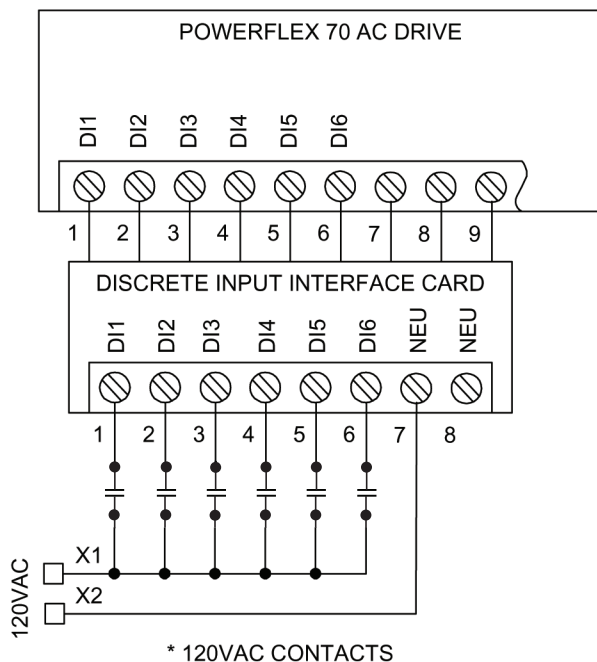


MODULE NUMBER LTPF-120VAC		
ELECTRICAL RATINGS		
INPUT VOLTAGE	120VAC	+/- 15%
TURN-ON/OFF VOLTAGE	90VAC	+/- 15%
INPUT CURRENT	NOMINAL	3.0mA +/- 2%
OUTPUT	OPEN-COLLECTOR	12 to 24VDC 5mA
ENVIRONMENTAL SPECIFICATIONS		
ENCLOSURE	OPEN	
OPERATING TEMPERATURE	0°C TO 50°C	
STORAGE TEMPERATURE	-40° TO +85°C	
RELATIVE HUMIDITY	0 TO 95% (NON CONDENSED)	
STANDARDS	UL, cUL	



TYPICAL CUSTOMER CONNECTIONS

Important: Refer to the PowerFlex 70 Adjustable Frequency AC Drive User Manual, publication 20A-UM001A for additional control wiring, start-up and programming information.

