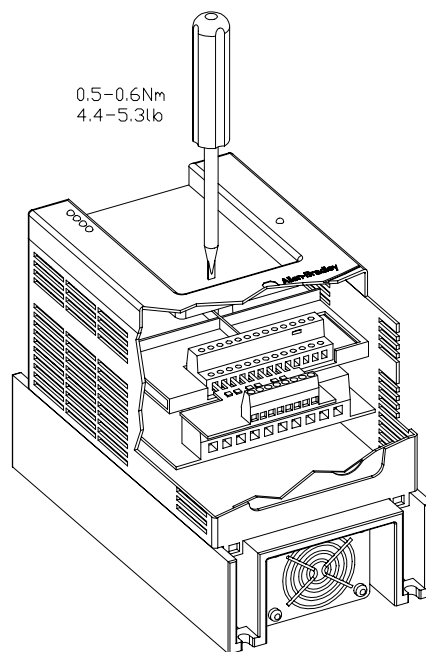


LTPF-120VAC INTERFACE CARD

for the ALLEN-BRADLEY PowerFlex 70 Adjustable Frequency AC Drive

DESCRIPTION

Leaf Technology LTPF-120VAC interface modules allow A-B PowerFlex 70 adjustable frequency AC drives to operate from standard 120VAC control signals. Direct connection to the drive control terminal strip simplifies module installation with no intermediate wiring required. Modules can be used with all PowerFlex 70 (bulletin 20A) series "A" drives, frame sizes A-D.



GENERAL SPECIFICATIONS

- 120VAC sinking only (120VAC control voltage)
- Input Loading: 3ma.
- Turn On/Off: 90VAC +/- 15%
- UL508



512 E. Industrial Drive • Hartland, WI 53029

Web Site: www.leaftech.com